

Quick Start

Software Installation Instructions

for the Meade® Autostar Suite™

Introduction

Meade's Autostar Suite with Meade Deep Sky Imager/Autoguider and Planetarium software turns your Meade telescope, Autostar and PC into a more powerful and easy-to-use astronomical instrument.

Parts Listing

When first opening the packing box, note carefully the following parts:

- Deep Sky Imager
- USB cable
- LX200 serial cable
- Filter slide (DSI Pro only)
- CD ROM, including the Operating Instruction in .pdf format
- Parfocal ring
- DB-9 to RJ-11 adapter
- Autostar #497 serial cable

Caution: The DSI Color Imager is shipped with the IR filter installed. Be careful removing the nosepiece from the imager as the IR filter is loose and may fallout. [DSI Color Imager only.]

To Install the Software

To install the Autostar Suite software:

1. Do not plug the USB cable into your PC at this time. You will be asked to do so later in this installation.
2. Turn on your PC. Allow Windows to load.
3. Place the CD ROM into your PC's CD drive.
4. The Main Menu screen displays. Click "Install Autostar Suite."
5. You are prompted to choose a directory in which to install the driver. You may accept the default directory or create your own directory path. Click "Next" when done.
6. The "Select Components" window displays. This window allows you to choose whether or not to install the Guide Star Catalog, and, if so, will ask you to select a destination for installation.

Note: This is an optional catalog that is used by the Planetarium program and contains all of the locations of the Hubble Space Telescope (HST) guide stars. The file is very large and takes up a large amount of memory. Only download if you have enough memory or wish to use this amount of memory of your hard drive. Memory totals for the file and your hard drive are displayed in this window.

If you wish to install the catalog, check the GSC check box.

If you do not wish to install the catalog, uncheck the GSC check box. Then click "Next."

Note: The catalog is very large and will take a few minutes to download. Do not perform any other computer operations while the file is downloading.

7. The "Start Installation" window displays. The program is now ready to install the Autostar Suite. Click "Next" to begin installation.
8. The "Microsoft Text to Speech Engine" window displays. Click "Yes" to agree to the terms and to continue with the installation.
9. The "Microsoft .Net Framework installation" window displays. You **must** click "Yes" for the Deep Sky Imager to operate. If it is already installed, click "Cancel" when the Maintenance screen is displayed.
10. Once .Net Framework installs, the .Net Framework

agreement displays. Click "OK" to continue.

11. The "InstallShield Wizard for the Meade LPI" displays. Click "Next."
12. A window displays prompting you to do a complete or custom install of InstallShield Wizard. Click on the "Complete" button and then click "Install" to begin installation.
13. "Windows Logo Test" window displays (**XP versions only**). Click "Continue Anyway."
14. A dialog saying "DSI Driver Installed" displays. Click OK.
15. InstallShield Wizard completes installation. Click "Finish."
16. A window displays that tells you that Autostar Suite has been installed. Click "Finish."

To Connect Camera

To connect the Deep Sky Imager (Camera) to your PC, you need to install the Deep Sky Imager driver and connect the USB cable:

1. Connect one end of the USB Cable to the DSI.
2. Connect the other end of the USB Cable to your PC or a USB hub.
3. "Found camera" displays at the bottom right of your PC screen.
4. **If you are using Windows XP or 2000,** the "Hardware Wizard" window displays. The "Install Software" selection is checked as the default choice. Click "Next." The Wizard searches for the driver.

If you are using Windows XP, "Windows Logo Test" window displays. Click "Continue Anyway." The connect/disconnect tones may be heard whenever the camera is plugged in. This is normal.

If you are using Windows 2000, select "Search for the best driver for your device" and click "Next." Then check the "Specify a location" box and click "Browse." Navigate to the driver directory, which is C:\Program Files\Meade\AutostarSuite\DSI\Driver\2K - XP. Then click "OK" and then "Next."

If you are using Windows 2000, an error may appear stating that the device was disconnected without shutting down. This is normal and should be ignored.

If you are using Vista:

1. When dialog ("New Hardware") "Windows needs to install driver...", select "locate and install driver software."
2. Wait for Windows to 'give up' the search—this may take a long time.
3. When "Windows couldn't find driver software," select "Browse my computer driver software." Select "Browse."
4. Navigate to the driver directory: C:\program files\meade\autostar suite\envimage\driver\2k-xp
5. When "Windows can't verify the publisher of this driver software" displays, select "Install this driver software anyway."
6. When "Found new hardware - Meade DSI" displays, select "Close."

Plug into any PC port and the drive loads. The software drivers never need to be installed again.

The driver is installed. Click "Finish." The camera driver is now installed and your PC will now be able to recognize the DSI whenever you connect it to the PC.

To Start the Suite Software

If the Autostar Suite icon appears on your desktop, double-click to begin the program. If the Autostar Suite icon doesn't appear on your desktop, you can start the Autostar Suite program by going to Start/Program/Meade/Autostar Suite.

The Planetarium program will display. You can open other programs of the Suite by going to the Image menu and selecting the desired program (for example, choose DSI Imaging to use the DSI camera). You can open the Operating Instruction manuals or the Meade General Catalog by selecting them from the Main Menu screen of the CD ROM. Click the word "Meade" in the Main Menu to go to www.meade.com.

Recommended Minimum System: PC running Windows 2000 with 500 MB RAM and 200 MB free disk space.

Vista, Windows, Windows XP and Hardware Wizard are trademarks of the Microsoft Corporation.

Adobe Acrobat Reader is a trademark of the Adobe Corporation.



MEADE®

6001 Oak Canyon, Irvine, California 92618
(949) 451-1450 ■ www.meade.com

Operating Instructions

Autostar Suite Serial Connector Cables

For use with the Meade® Autostar Suite™

The Serial Connector Cable Set provides access to two Autostar operations:

- **Telescope Control:** Use a personal computer (PC) to directly control a Meade Autostar-compatible telescope through the use of an astronomical software program with telescope control capabilities with Autostar Suite.
- **Download from a PC:** Download a new version of the Autostar software or object information (e.g., new satellite orbital parameters) from the Meade web site (www.meade.com) through a PC to Autostar with the Autostar Updater.

PARTS LIST

The #505 Connector Cable Set is supplied with the following:

- 6-pin to RS-232 serial interface adapter
- 6-foot, 4-pin to 6-pin Autostar cable
- 6-foot, 6-pin to 6-pin Autostar II cable

The 6-foot cables connect an Autostar handbox and a PC using the interface adapter.

#497 AUTOSTAR TELESCOPE CONTROL

To use this function, complete the following procedure:

1. Verify that telescope and computer power are OFF.
2. Connect the serial interface adapter (1, Fig. 1) to the RS-232 port on a PC.
3. Connect the 6-pin end of the 6-foot, 4-pin to 6-pin round cable (2, Fig. 1) to the serial interface adapter, then the 4-pin end to the RS-232 port at the base of the Autostar (3, Fig. 1).

CAUTION: Do not connect either cable to the AUX port on the telescope's computer control panel or damage may occur to the cable connector.

4. Connect the Autostar coil cord between the HBX port (4, Fig. 1) on the telescope computer control panel and the coil cord connector port on Autostar.
5. Apply power to the telescope and computer, then complete basic Autostar initialization as detailed in the telescope's instruction manual.
6. If the astronomical software requires it, configure the computer Com Port as follows:
 - Baud Rate **9600**
 - Data Bits **8**
 - Parity **None**
 - Stop bit **1**
 - Flow Control **None**
7. Complete telescope alignment as detailed in your telescope's instruction manual.

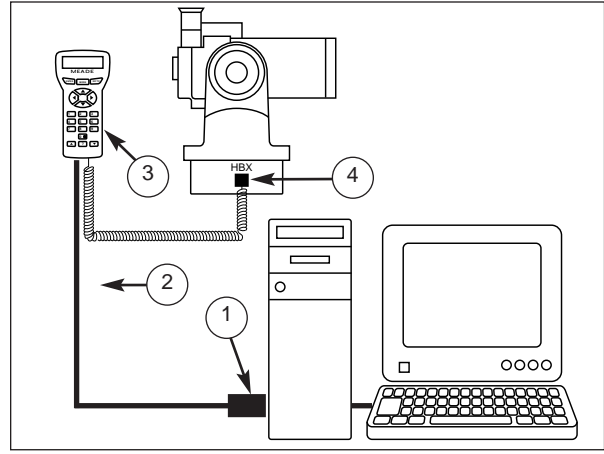


Fig. 1: Connector Cable connects between a PC and Autostar for telescope computer control or download capabilities.
(1) Serial Interface Adapter; (2) 6-Foot Cable; (3) Autostar;
(4) Handbox (HBX) port on the telescope's computer control panel.

Telescope control can now be accessed using a PC astronomical software program or with the Autostar Suite software: Go to the Telescope menu, and select "Protocol," then "Autostar via comm port." Follow instructions provided with the software to provide PC telescope control (if using Autostar Suite Software the telescope is controlled using the *Auto Tracking* function).

NOTE: The Autostar GO TO function is still active when connected to an astronomical software program, allowing control either from the PC or Autostar.

LX200 AUTOSTAR TELESCOPE CONTROL

To use this function, complete the following procedure:

1. Verify that telescope and computer power are OFF.
2. Connect the serial interface adapter (1, Fig. 1) to the RS-232 port on a PC.
3. Connect one end of the 6-foot, 6-pin to 6-pin Autostar II cable (2, Fig. 1) to the serial interface adapter, then the other end to the leftmost RS-232 port of the LX200 computer panel.
4. Follow steps 4 through 7 in the #497 Autostar Telescope Control section.

If you have a question concerning use of the Autostar Suite or the Connector Cable Set, call the Meade Instruments Customer Service Department at (949) 451-1450. Customer Service hours are 7:00 AM to 6:00 PM, Pacific Time, Monday through Friday.



MEADE®

6001 Oak Canyon, Irvine, California 92618
(949) 451-1450 ■ www.meade.com